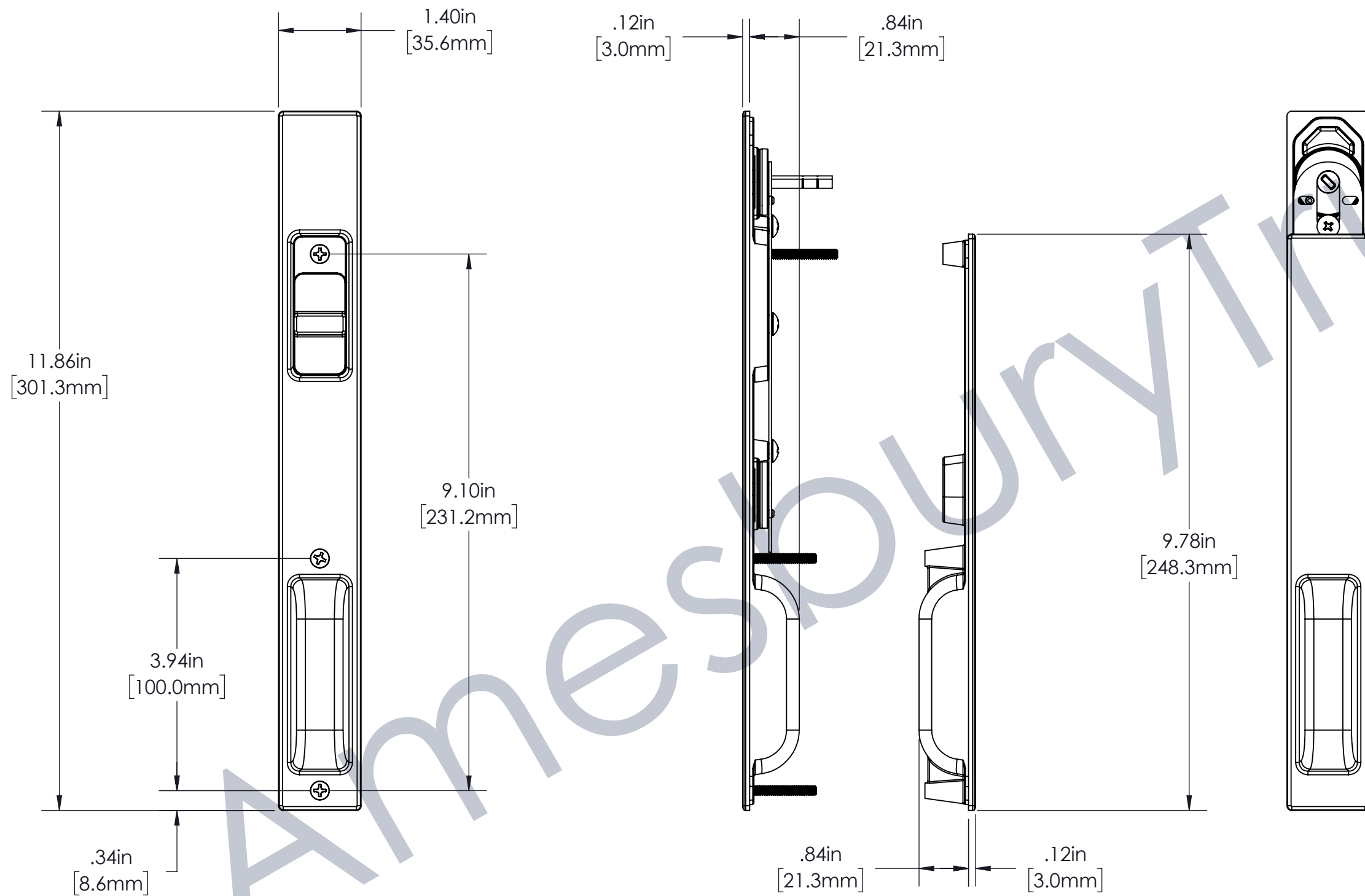
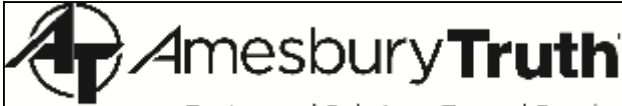
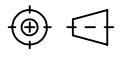


REV	LOC	DESCRIPTION	DATE	EC #	BY
1		RELEASED	9/15/2022		TF



CUSTOMER PAGE

 <p>Amesbury Truth Engineered Solutions. Trusted Results.</p> <p>THE INFORMATION CONTAINED IN THIS DRAWING IS CONFIDENTIAL AND PROPRIETARY. THIS DRAWING IS NOT TO BE COPIED OR REPRODUCED IN WHOLE OR IN PART WITHOUT EXPRESS WRITTEN PERMISSION.</p>	INTERPRET PER: ASME Y14.5M-2009 UNITS: INCH	DRAWING TITLE: 40.84.XX.310-311 CUSTOMER PAGE
	THIRD ANGLE PROJECTION 	SCALE: 1:2 DRAWING #: 40.84.XX.310-311 CUSTOMER PAGE